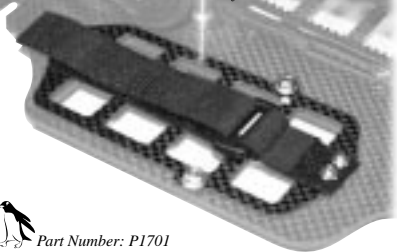


 **Penguin***r/c*

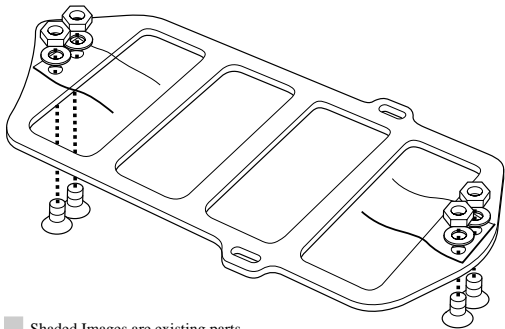
©1999

# Velcro™ Quadslot

*for Yokomo M2/Mteam*

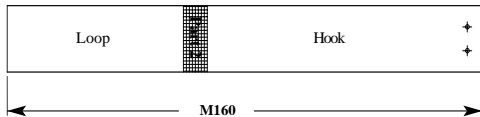
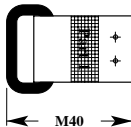


*Part Number: P1701*



## Velcro™ Strap Cutting

1. Cut Part 1 off of each strap
2. Cut Part 2 from hook end of one strap (M160)
3. Cut or punch holes (+) M5 from end, M7 apart as shown



**Other parts included:**  
Graphite Plate and  
Velcro™ Strap

  
M3x6 Flathead Screw  
(x4)

  
M3 Jam Nut  
(x4)

  
M3 Washer  
(x4)