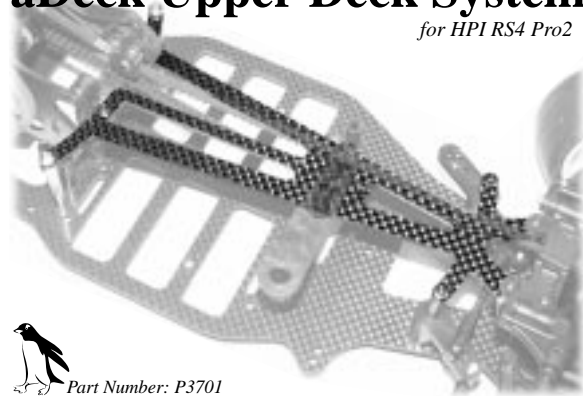




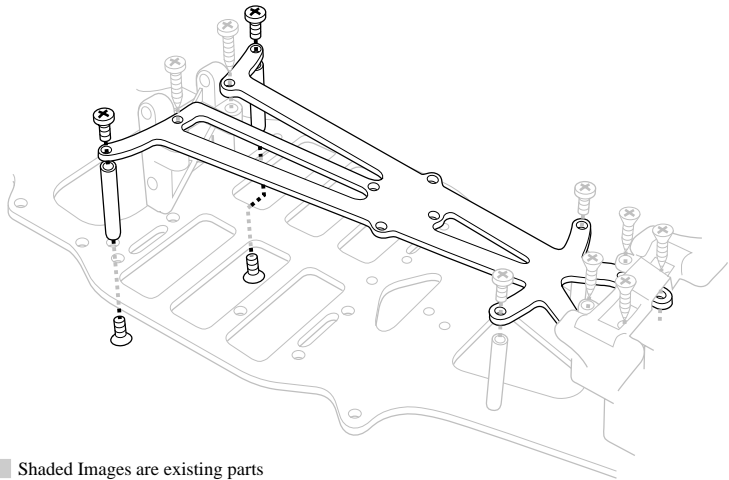
©1999

aDeck Upper Deck System

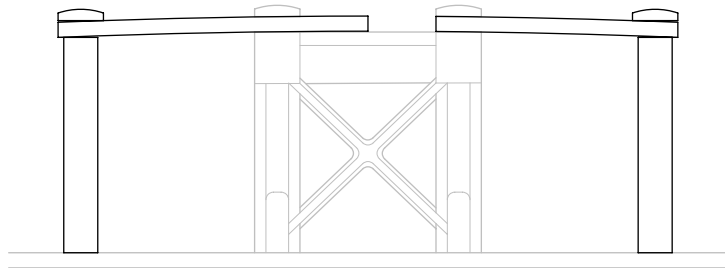
for HPI RS4 Pro2



Part Number: P3701



■ Shaded Images are existing parts



aDeck Arch:

The aDeck Arch as shown above is designed into the aDeck system.. This Arch tensions the upper deck to increase torsional rigidity through out the deck. The Droop on each leg of the upper deck is M1. This Droop can be removed if wanted by using 2 (*supplied*) M3 x M.5 Washers at each aluminum post (*1 Washer at each end*).

Other parts included:
Graphite Plate and
Aluminum Posts (x2)

